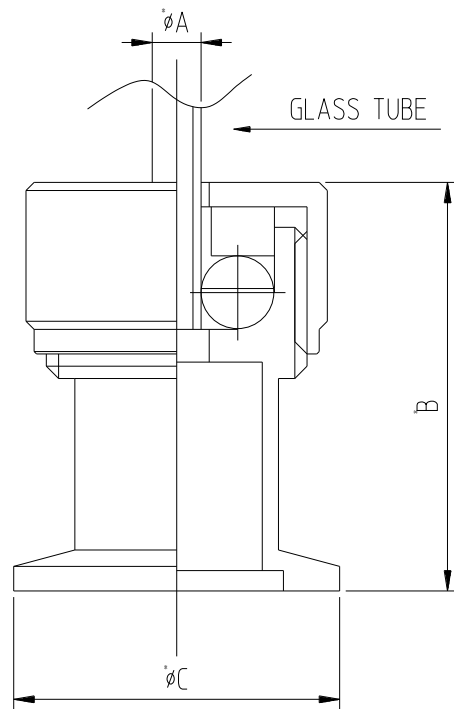


## Engineering Date Sheet

### KF Series Quick Disconnect Adaptors



Model	A	B	C	Tube Size
KF16-6	6.5	33.3	30	1/4
KF16-12	13	36.5	30	1/2
KF16-19	19.4	46	30	3/4
KF25-12	13	35	40	1/2
KF25-19	19.3	44.45	40	3/4
KF25-25	25.7	50.8	40	1
KF40-12	13	35	55	1/2
KF40-19	19.3	44.45	55	3/4
KF40-25	25.7	50.8	55	1
KF40-38	38.4	60.3	55	1-1/2

Mat'l : SUS304

DGN	CCK	CHK		APP
REV	A	DATE	2000.1.28	Motech Vacuum Co.,LTD