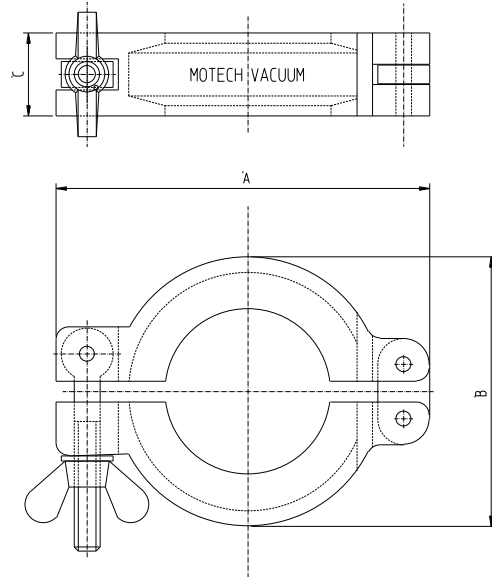


## Engineering Date Sheet

### KF Series Clamp



| Model | A   | B  | C  |
|-------|-----|----|----|
| KF16  | 61  | 45 | 16 |
| KF25  | 72  | 55 | 16 |
| KF40  | 90  | 70 | 18 |
| KF50  | 123 | 95 | 23 |
|       |     |    |    |

Mat'l : AL

|     |     |      |           |                       |  |
|-----|-----|------|-----------|-----------------------|--|
| DGN | CCK | CHK  |           | APP                   |  |
| REV | A   | DATE | 2000.1.28 | Motech Vacuum Co.,LTD |  |